



6LS1



Enclosed Switches Series LS: Side Rotary with Yoke Style Lever; Steel Rollers; 1NC 1NO DPDT Snap Action, Maintained, Double Break; 0.5 in - 14NPT conduit; Compact/Non Plug-in

Actual product appearance may vary.

Features

- Mode of operation is field adjustable
- NEMA 1, 3, 4, 6, and 13
- Wide choice of heads and actuators
- Variety of operating characteristics
- Captive screws
- UL and CSA approved parts available

Potential Applications

- Machine tools
- Conveyors
- Material handling
- Metal fabrication equipment
- Lift trucks

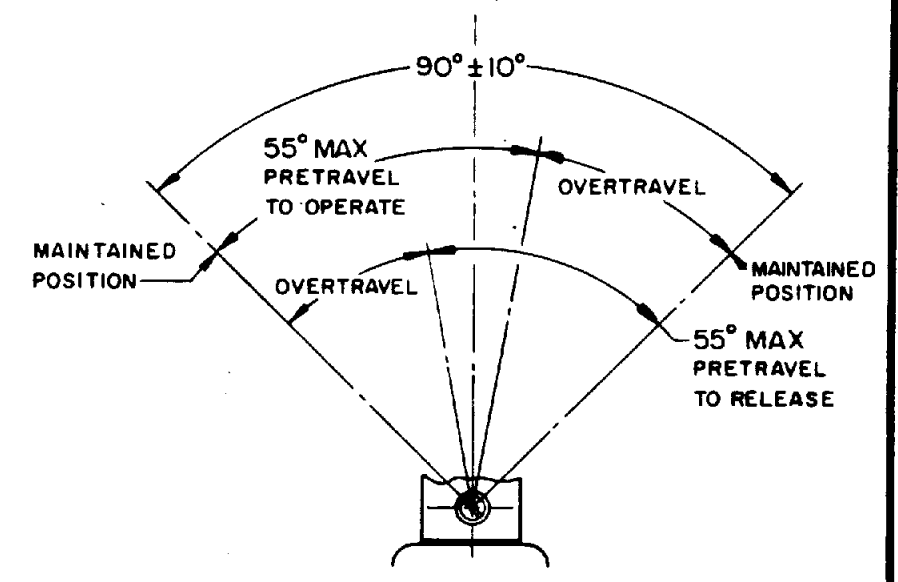
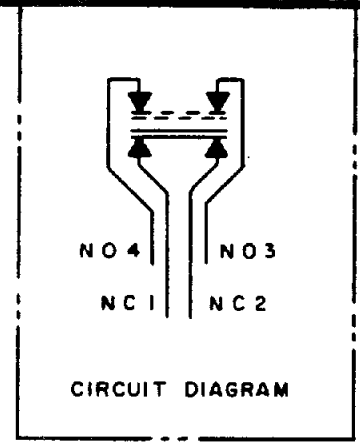
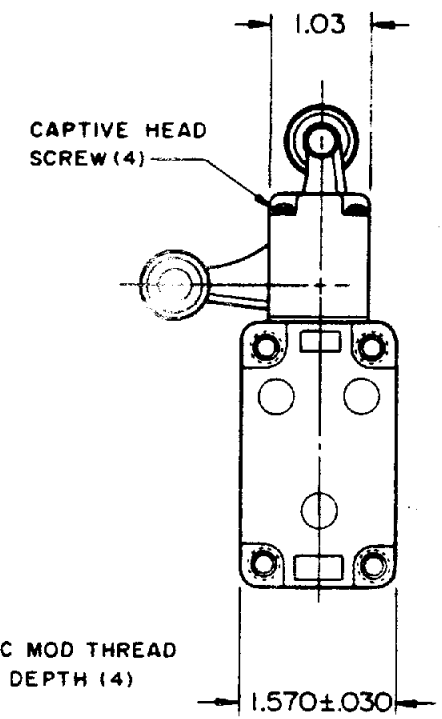
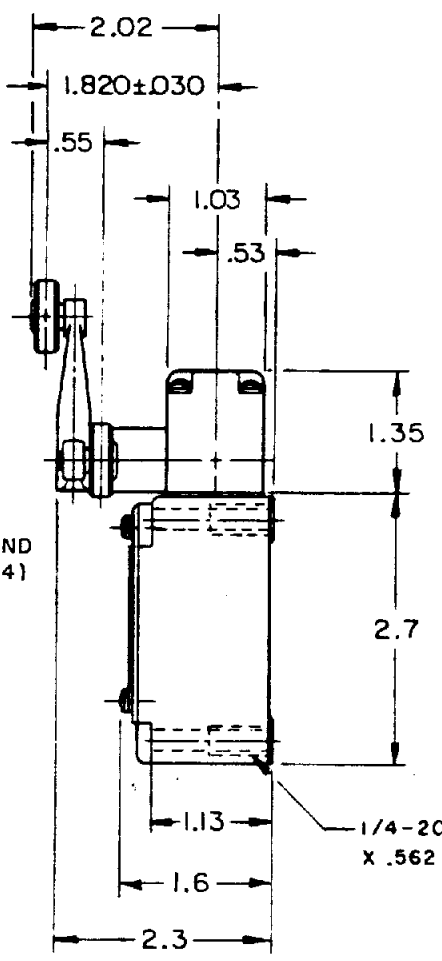
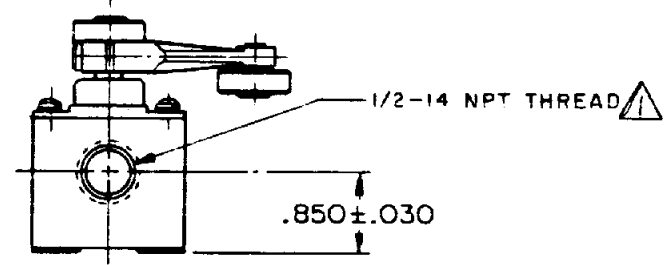
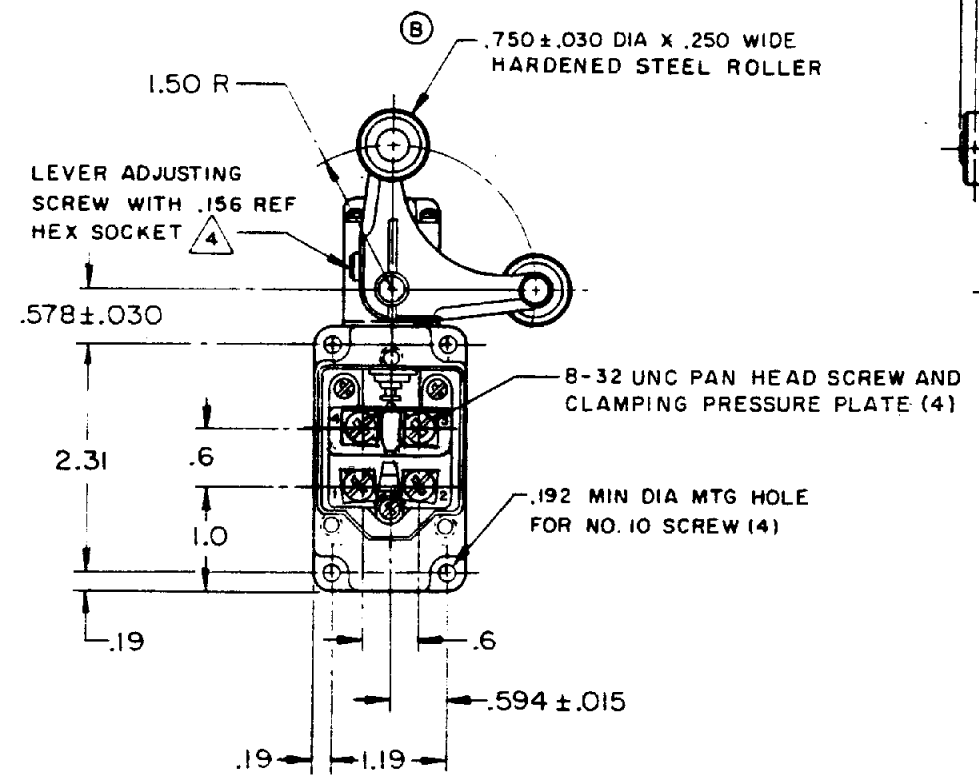
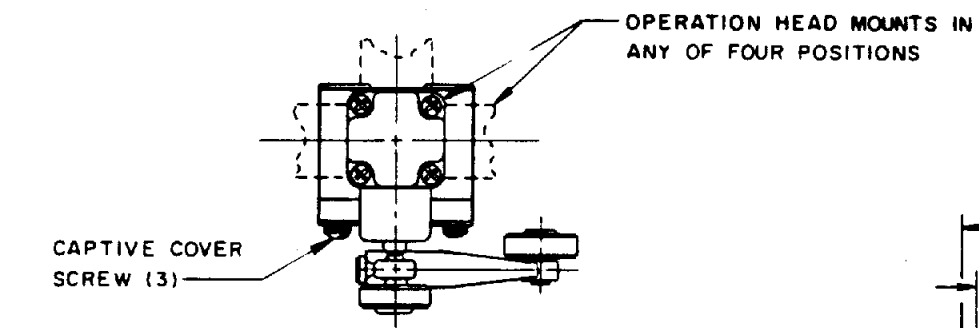
Description

MICRO SWITCH™ compact LS and plug-in 200LS limit switches have a long record of successful performance in industrial applications. The MICRO SWITCH™ LS fits in many places too small for any other fully adjustable limit switch. The MICRO SWITCH™ 200LS switches are the original plug-in concept for reducing downtime by making changeover simple and fast.

Product Specifications	
Availability	Global
Operating Force (O.F.)	0.34 N m max. [3 in lb max.]
Pretravel (P.T.)	55° max.
Product Type	MICRO SWITCH™ Compact Limit Switches
Actuator	Side Rotary
Lever Style	Yoke Style Roller Lever with Steel Rollers (.75 in dia. x .25 in wide)
Circuitry	1NC 1NO SPDT Snap Action, Maintained, Double-Break
Ampere Rating	10 A Ind./0.8 A Res./0.4 Res./0.1 A Res.
Supply Voltage	120 Vac. 240 Vac. 480 Vac/115 Vdc/230 Vdc/550 Vdc

Housing Material	Zinc Die-Cast
Termination Type	0.5 in - 14NPT conduit
Housing Type	Compact / Non Plug-In
Series Name	LS
Sealing	NEMA 1, 3, 4, 6, 13
Operating Temperature Range	-29 °C to 71 °C [-20 °F to 160 °F]
Comment	Two-position maintained
UNSPSC Code	302119
UNSPSC Commodity	302119 Switches and controls and relays
Sealed	Industrial

FO-80378-003
 DRAWN
 RES 11 JUNE 64
 CHECK DAW 23 JUNE 64
 CHECK
 ISSUE 14
 DRAWING NUMBER M
 REPLACES 6LS1
 RELEASE NO.



- NOTES:
- 1 - SEAL TO BE FURNISHED BY USER
 - 2 - ROLLER LEVER MAY BE LOCKED IN ANT POSITION THRU 360°
 - 3 - ROLLER LEVER FURNISHED UNASSEMBLED IN UNIT PACKING BOX

THIS DRAWING COVERS A PROPRIETARY ITEM AND IS THE PROPERTY OF MICRO SWITCH, A DIVISION OF MINNEAPOLIS-HONEYWELL REGULATOR CO. THIS DRAWING IS NOT TO BE COPIED OR USED WITHOUT THE APPROVAL OF MICRO SWITCH.		
CHARACTERISTICS	ELECTRICAL DATA	SCALE 1/2 TO 1
OPERATING TORQUE --- 3 IN-LB MAX	CONTACT ARRANGEMENT (SEE CIRCUIT DIAGRAM)	DO NOT SCALE PRINT
SWITCH-BASIC REPLACEMENT --- 2MNI	10A-120, 240, OR 480 VAC, 1/3 HP - 120 VAC 3/4 HP - 240 VAC; 0.8A - 115 VDC; 0.4A - 230 VDC .1A - 550 VDC PILOT DUTY: 600 VAC MAX	UNLESS OTHERWISE NOTED DIMENSIONS ARE IN INCHES TOLERANCES ARE: ONE PLACE (.0) ±.030 TWO PLACE (.00) ±.015 THREE PLACE (.000) ±.003 ANGLES ±
		WEIGHT